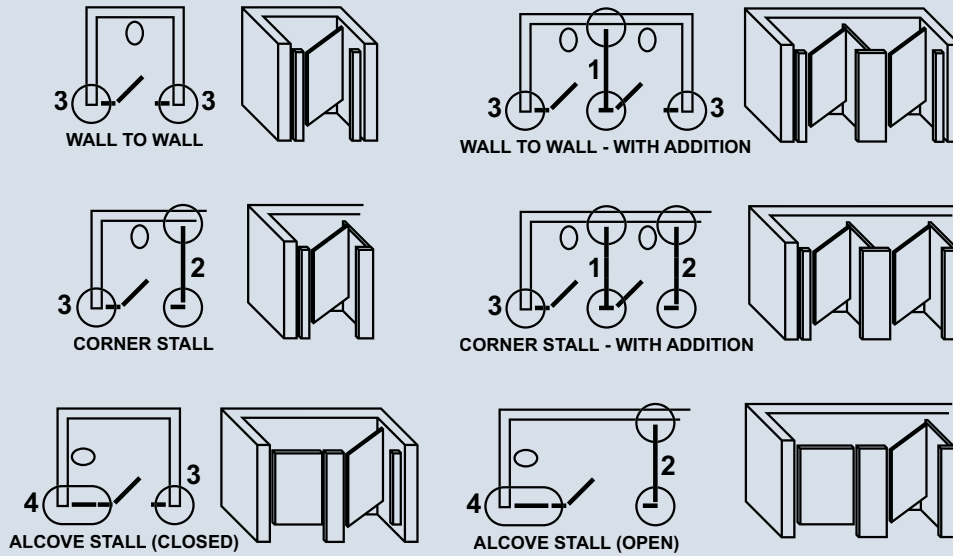
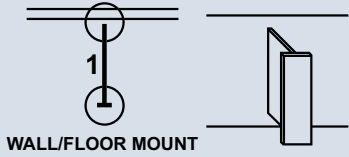
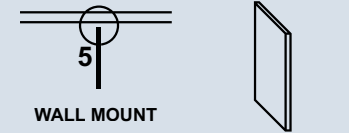


# Installation & Hardware Details

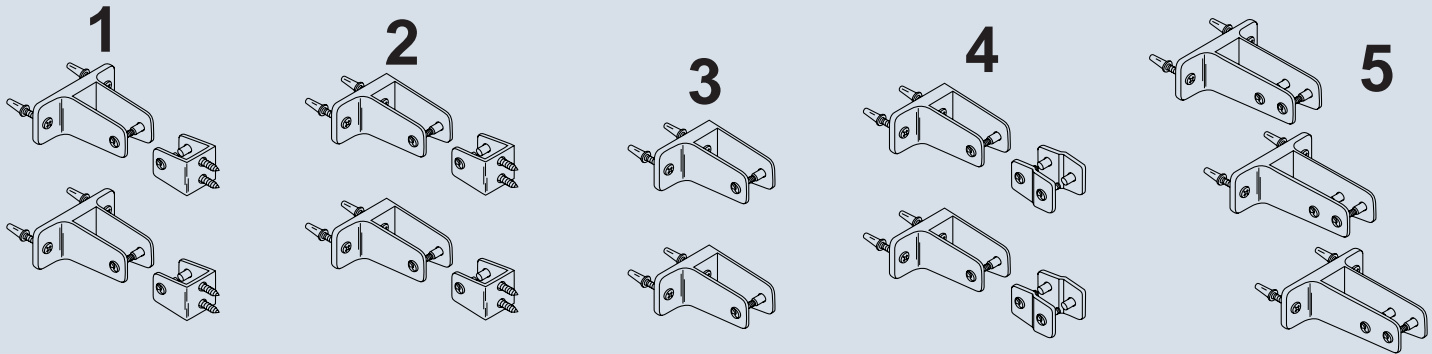
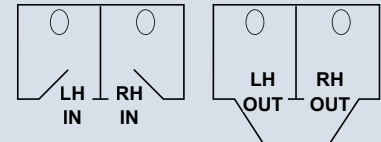
## STALL LAYOUTS



## URINAL SCREENS



## DOOR SWING



## MATERIAL DESIGNATION & STANDARDS

DESIGNATION	MATERIAL	FINISH	PROPERTIES	PARTS
	ZINC ALLOY	CHROME		
0	99% Zinc Die Cast	Plated, Polished, Bright, Shiny (Silver)	Medium Strength and Holding	Wall Brackets Hinge Brackets Strike & Keepers Inserts Latches Hooks & Stops Door Pulls
	BRASS	CHROME		
1	C35000-C37700 Forged Extruded Cast	Plated, Polished, Bright, Shiny (Silver)	Medium Strength and Holding	Wall Brackets Hinge Brackets Surface Hinges Strike & Keepers Latches Hooks & Stops Door Pulls
	BRASS	BRASS		
2	C35000-C37700 Forged Extruded Cast	Plated, Polished, Bright, Shiny (Gold)	Medium Strength and Holding	Wall Brackets Hinge Brackets Surface Hinges Strike & Keepers Latches Hooks & Stops Door Pulls
	STAINLESS STEEL	#4 SATIN		
3	#304 Stainless Casting	Brushed Semi-Shiny (Silver)	Highest Strength and Holding	Wall Brackets Hinge Brackets Surface Hinges Strike & Keepers Latches Hooks & Stops Door Pulls

DESIGNATION	MATERIAL	FINISH	PROPERTIES	PARTS
	ALUMINUM	CLEAR-ANODIZED		
4	T-6063-T5 Extruded	Low-Luster Semi-Brushed (Gray)	Medium Strength and Holding	Wall Brackets Strike & Keepers Latches Headrails
	ZINC ALLOY	RAW		
6	99% Zinc Die Cast	Un-Plated Dull (Gray)	Medium Strength and Holding	Raw Parts Inserts Housings
	ALUMINUM	BRITE-DIP		
8	T-6063-T5 Extruded	Mirror-Shine High-Gloss (Silver)	Medium Strength and Holding	Wall Brackets Strike & Keepers Latches
	STAINLESS STEEL	#4 SATIN		
9	#304 Stainless Stamped (1/32") 22 ga. (Shoes) to (1/8") 11 ga. (Hinges)	Brushed Semi-Shiny (Silver)	High Strength and Holding	Wall Brackets Surface Hinges Strike & Keepers Latches Hooks Door Pulls